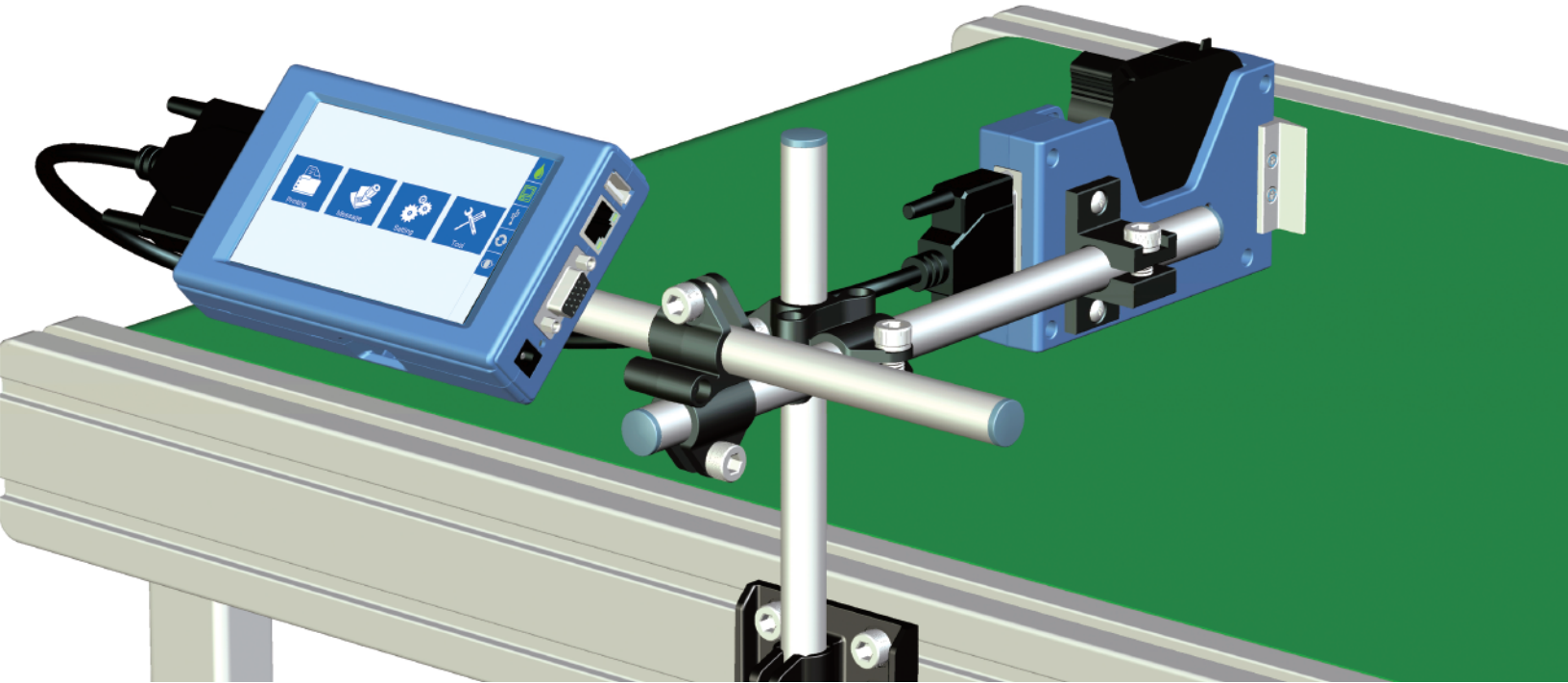


Elfin ID

High Resolution Inkjet Printer



Various Printing Contents

Can print fixed 1D/2D barcodes, English, Chinese, batch code, counter, logos, date, etc.



Flexible team or group setting

Team or group numbers and time can be set up flexibly, can support up to 48 teams



High Resolution

High resolution up to 600DPI;



Smart Detection

Smart detection of external devices;



Vector Font Editor

Multi-fonts editing supported;



5 inch LCD touch screen

5inch 800*480 color LCD touch screen;



Independent Printheads

Printhead is separated from the controller, suitable for various working environment;



Smart Ink

Automatical detection of remaining ink volume;

Technical Parameters

Selectable Languages

Chinese, English, Japanese, French, German, Spanish, Portuguese and Russian;

Fonts

Default font is Arial, allows users to load the fonts they need;

Messages Backup Restore

You can backup the device messages to the U disk, also can restore the U disk messages to device, this can avoid message repeat edit or loose.

Printing Objects

Barcodes, Character, Numeric, Logos, Date/Time, Expiry Date, Shift Code, Counter, Lot-Box Code;

Printable Heights (mm)

1~12.7mm

Printing speed

0-60 m/min(300 DPI);

Resolution

50~600DPI

Power Supply

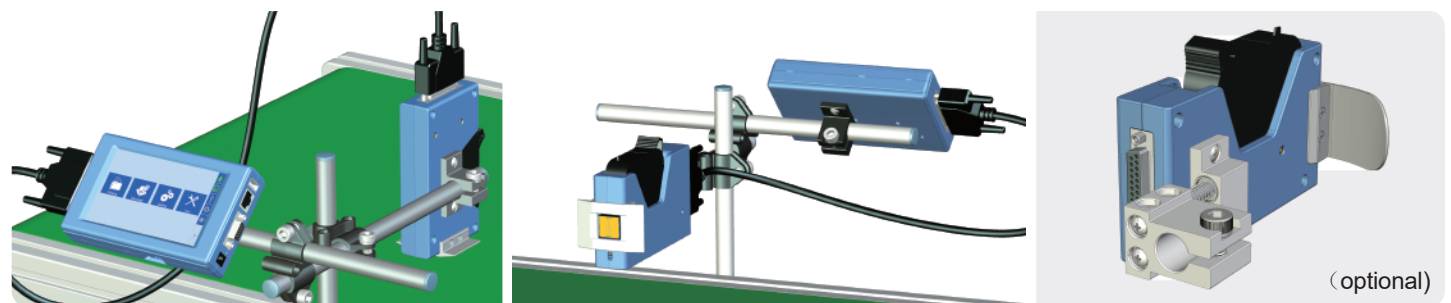
12V/3A, 36W (Dedicated AC adaptor)

Product Certification

CE、FCC;

Mounting

Standard side printing and down printing brackets, users can install according to their needs, spring mechanism is optional;



Date format

Two kinds date modes (production date, expire date), it can custom the date format;

Counters

Counter setting flexible, counter's system customized;

Printing Objects

Barcodes, Character, Numeric, Logos, Date/Time, Expiry Date, Shift Code, Counter, Lot-Box Code;

Barcodes

UPCA, UPCE, EAN13, EAN8, INT25, CODE39, CODE128, EAN 128, PDF417, DATAMATRIX, QR;

Interface

- 1) 5inch 800*480 color LCD touch screen;
- 2) Display using brand new touch interface;

Port

- 1) USB2.0: Support U-Disk;
- 2) DB15: For external devices like photocell, synchronizer or alarm kit connection;

Ink management

- 1) Automatically recognize the ink types, and identify the optimum printing parameters;
- 2) Guarantee of using genuine original HP ink;
- 3) Automatic measuring system for the usage of the ink;

Environment

- 1) Working Environment: -10°-- +45°C; 10%-85%RH;
- 2) Storage Environment: -25°-- +55°C; 10%-90%RH;

Dimensions

Controller: H*W*D: 162*92*31mm/ 6.4*3.6*1.3inch
Printhead: H*W*D: 144*95*60mm/ 5.7*3.7*2.4inch
Standard 1.2m cables.